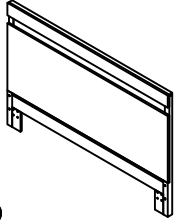


**Warning :**

- Be sure to check all packing material carefully for small parts, which may have come loose inside the carton during shipment.
- To prevent possible scratches and damage, this furniture **MUST BE ASSEMBLED BY TWO PEOPLE** on a soft surface such as a blanket or carpet.

Components packed with the #81080 Headboard

King Panel Headboard - 81080

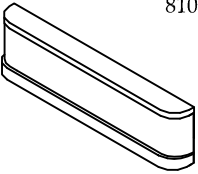


(H-A)

1 pc.

Hardware and Parts packed with the Footboard

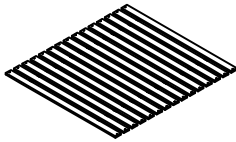
King Panel Footboard  
81081



(F-A)

1 pc.

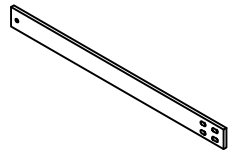
Wood Slat  
60" Long



(F-B)

1 set.

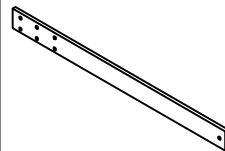
Center Support Front Rail  
48-3/4" x 3-9/16" x 13/16"



(F-C)

1 pc.

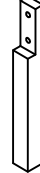
Center Support Back Rail  
48-3/4" x 3-9/16" x 13/16"



(F-D)

1 pc.

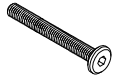
Center Support Leg  
14-5/8" x 1-1/2" x 1-1/2"



(F-E)

1 pc.

Allen Head Bolt  
Ø1/4"-20 x 2"



(F-F)

2 pcs.

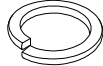
Allen Head Bolt  
Ø1/4"-20 x 1-1/2"



(F-G)

2 pcs.

Spring Washer  
Ø1/4" x Ø10mm



(F-H)

4 pcs.

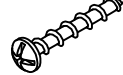
Flat Washer  
Ø1/4" x Ø19



(F-I)

4 pcs.

Wood Screw  
Ø4 x 30mm



(F-J)

32 pcs.

Allen Key  
M4 x 2-1/2"



(F-K)

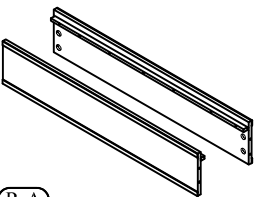
1 pc.

Screw Driver  
not included



Hardware and Parts packed with the Bed Rails

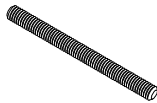
Panel Siderails - 81072



(R-A)

2 pcs

All-Thread Bolt  
Ø5/16"-18 x 3-1/2"



(R-B)

8 pcs.

Arc Washer  
37x17mm



(R-C)

8 pcs.

Spring Washer  
Ø5/16" x Ø13mm



(R-D)

8 pcs.

Flat Washer  
Ø5/16" x Ø16mm



(R-E)

8 pcs.

Hex Nut  
Ø5/16"x18mm



(R-F)

8 pcs.

Open Wrench  
12 mm



(R-G)

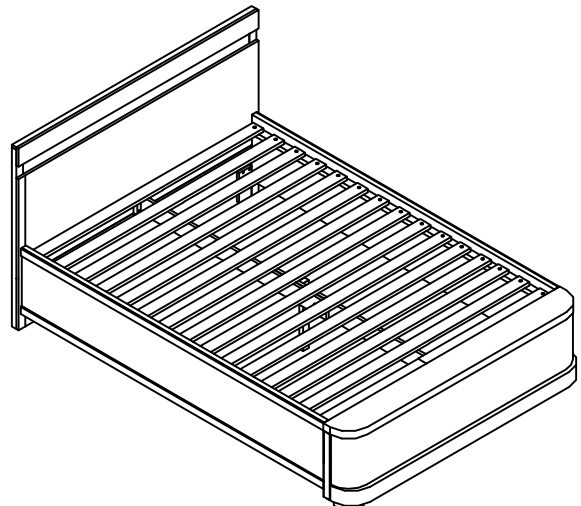
1 pc.

*6/0-6/6 King Bed*

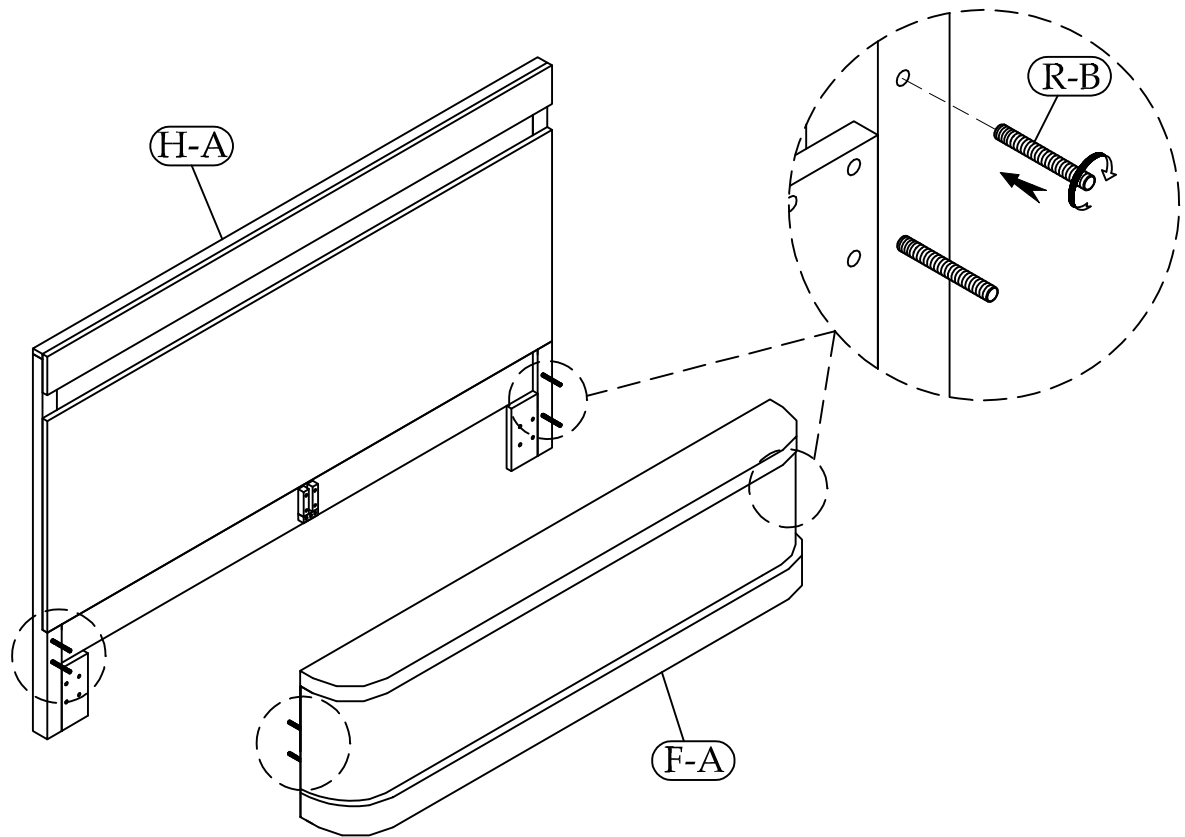
*81080 -- 6/0 - 6/6 Panel Headboard*

*81081 -- 6/6 Panel Footboard*

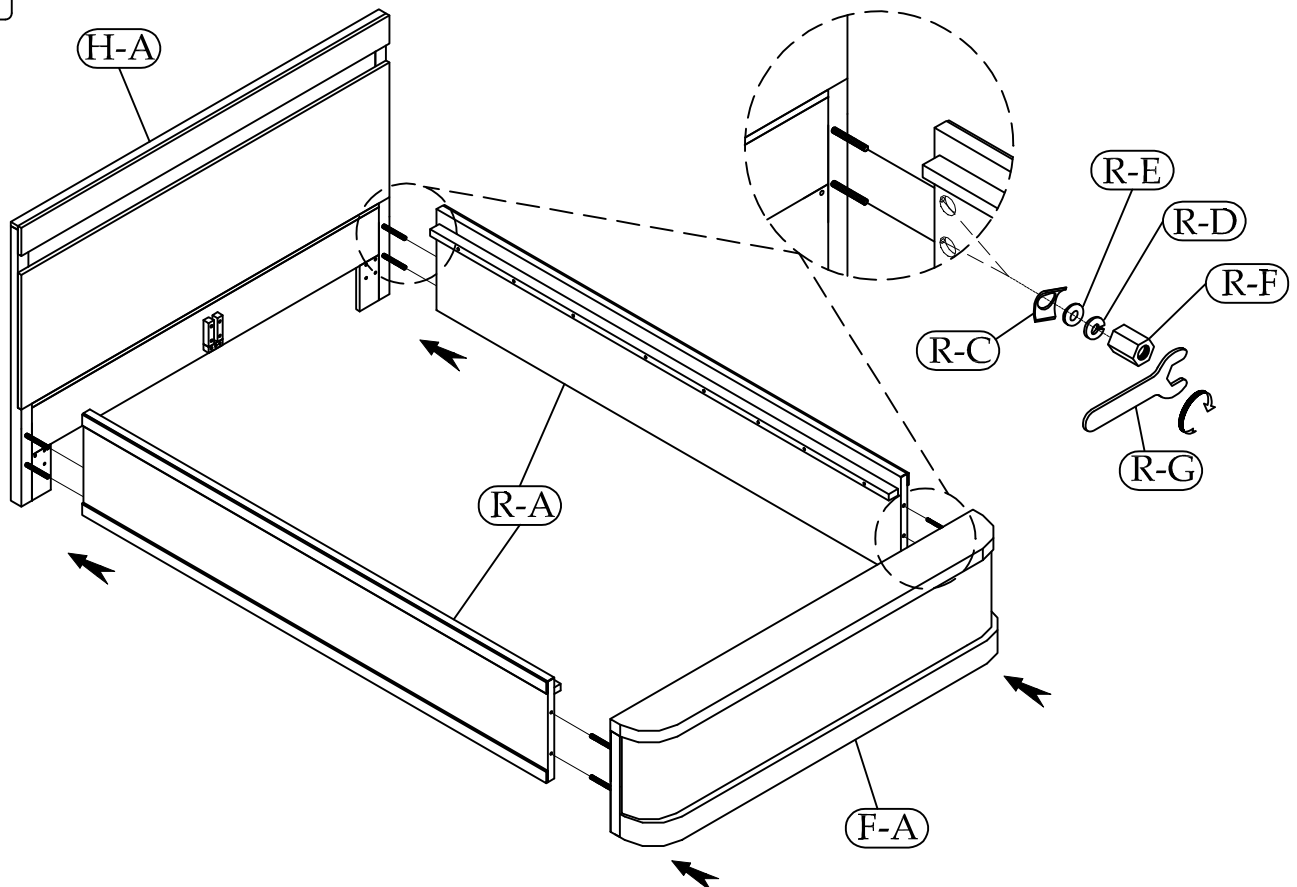
*81072 -- 5/0 -6/6 Panel siderails*



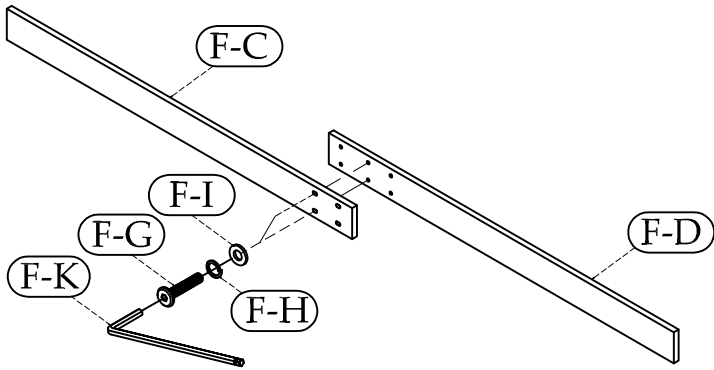
STEP 1



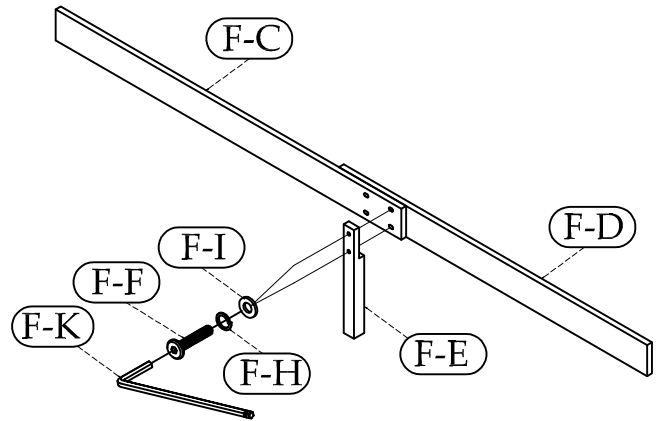
STEP 2



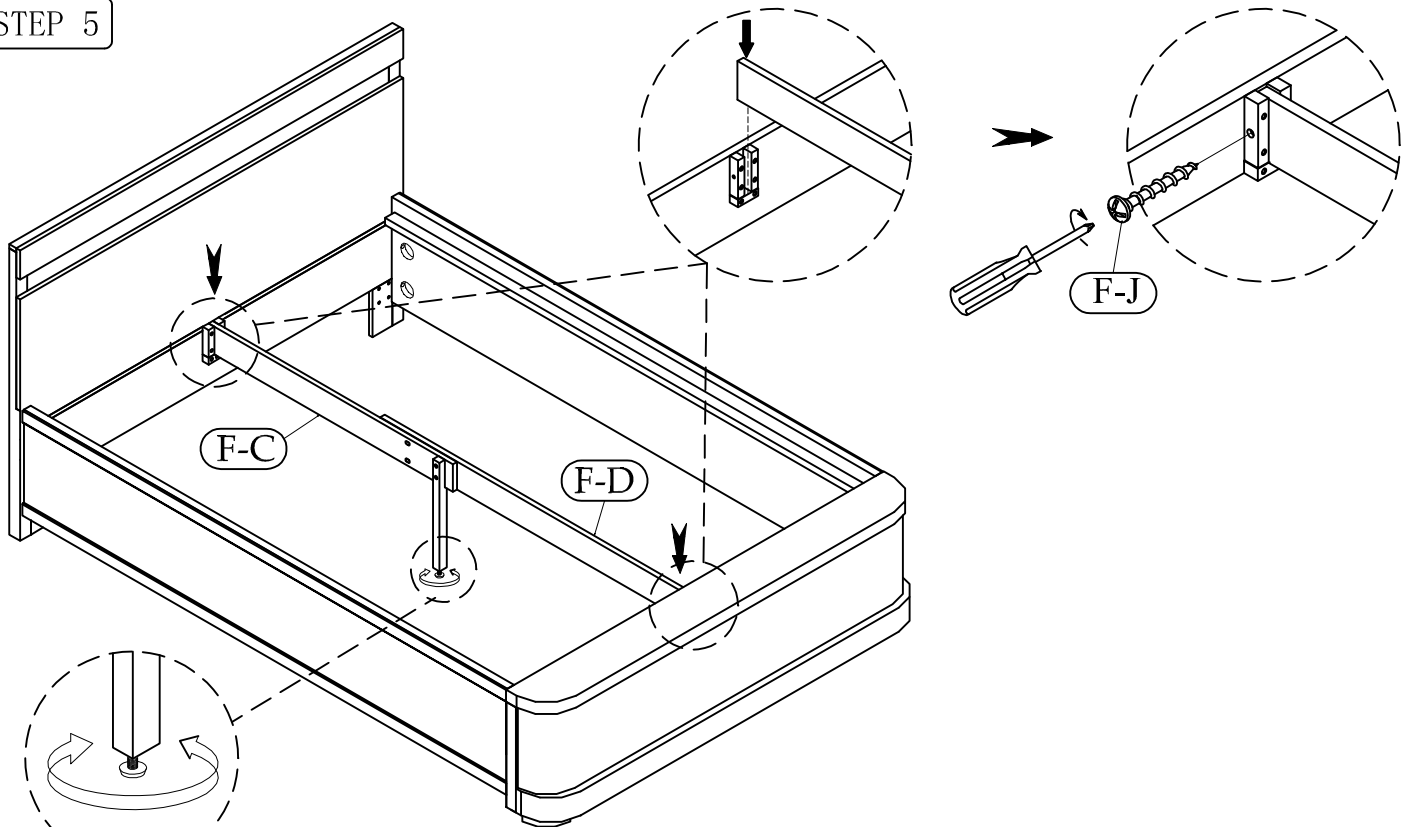
STEP 3



STEP 4

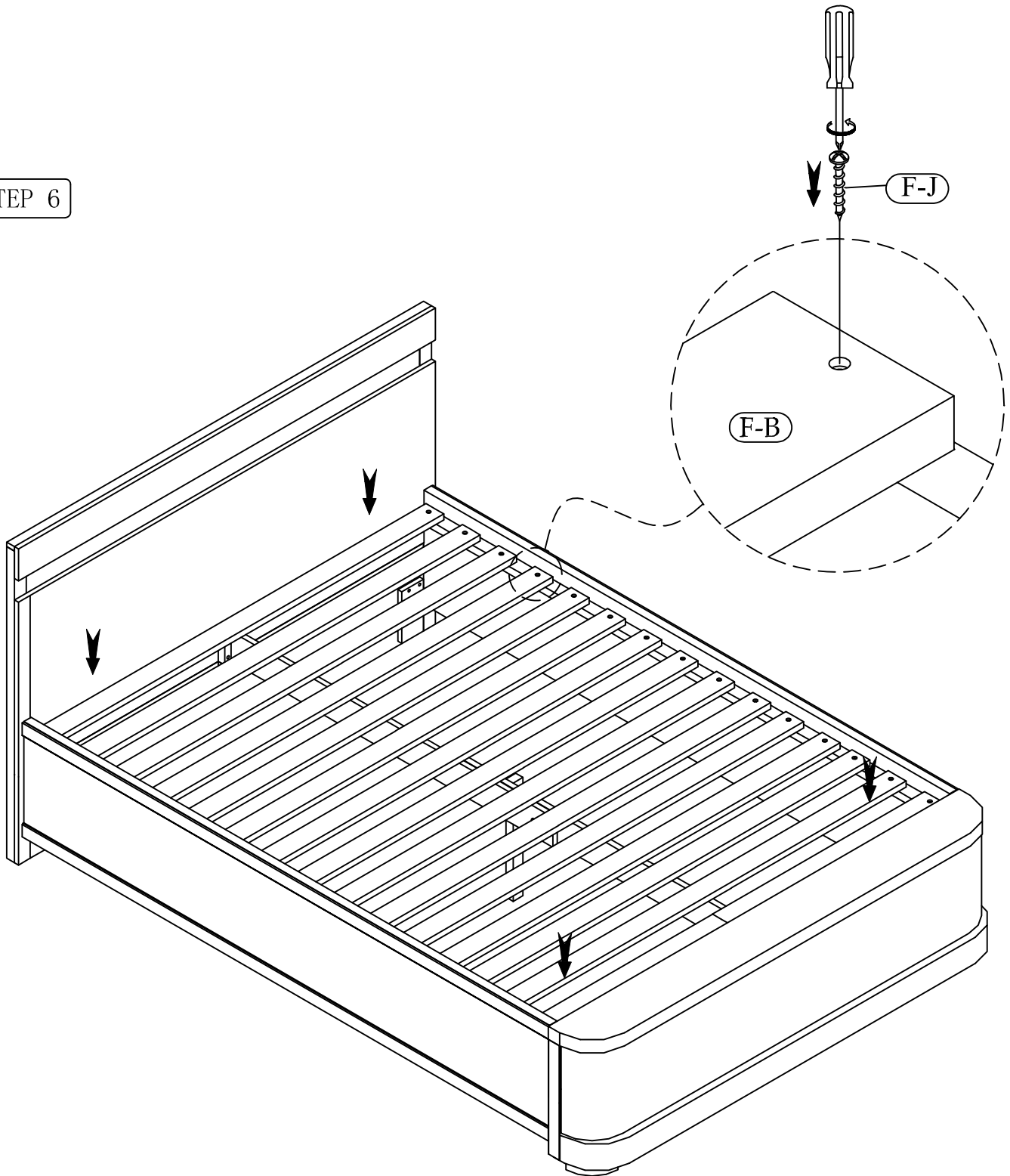


STEP 5



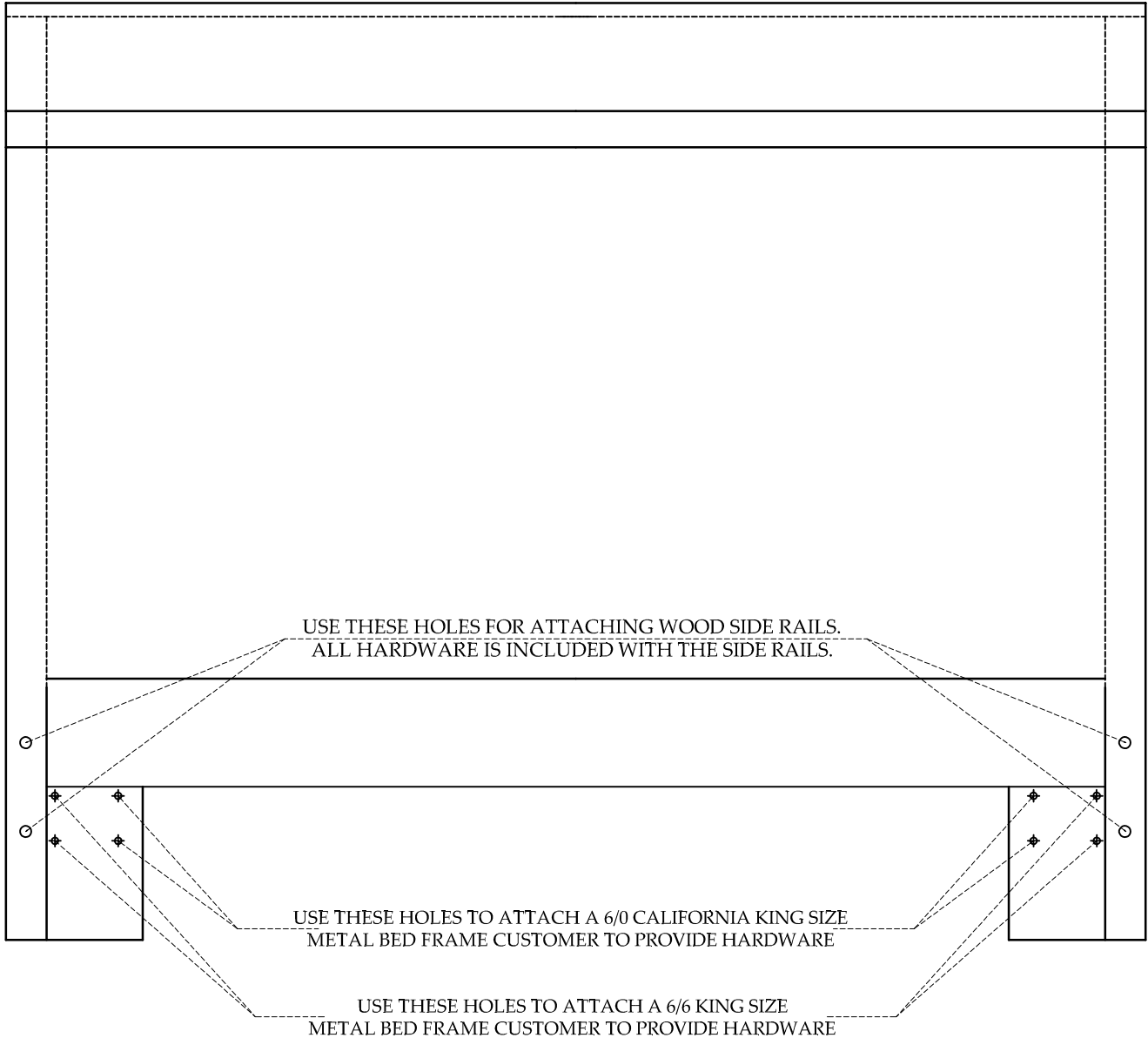
Adjustable leveler

STEP 6



6/0-6/6 King Bed

81080 - 6/0-6/6 Panel Headboard



The headboard may be used alone with a Eastern King or California King size metal bed frame.